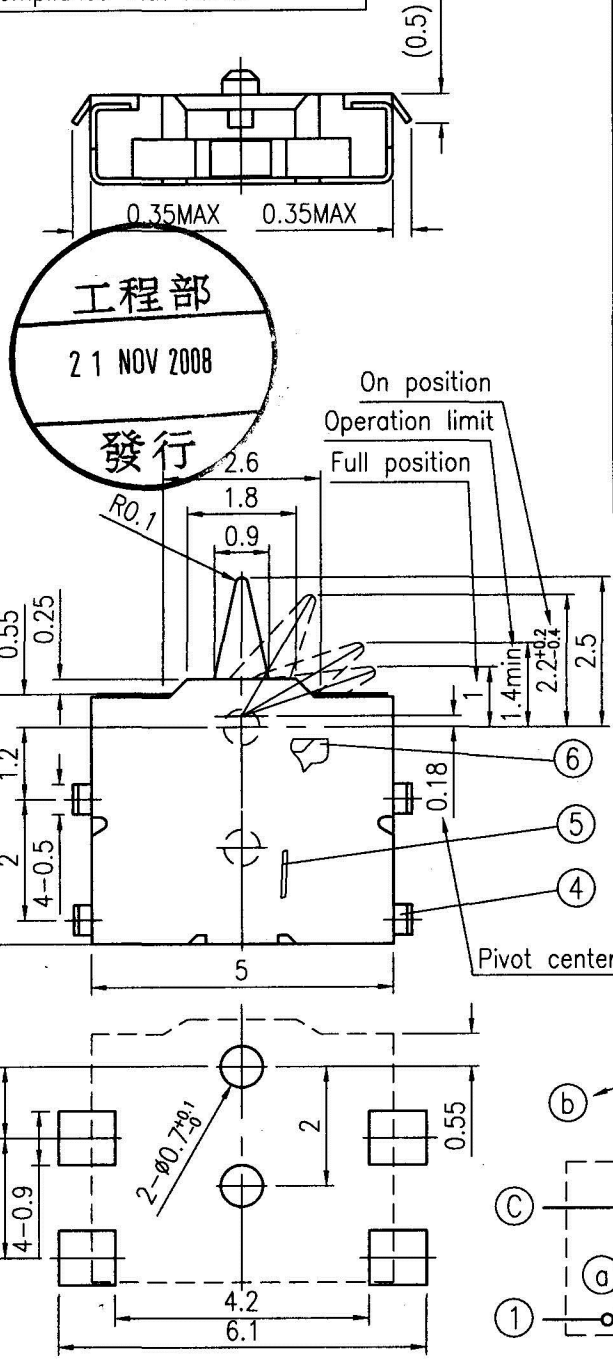
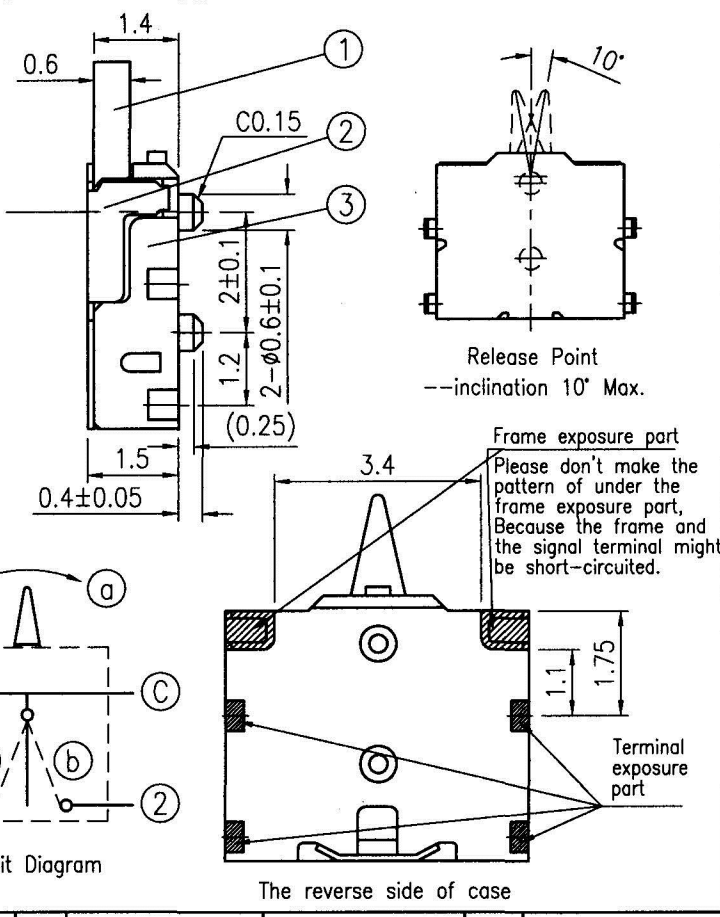
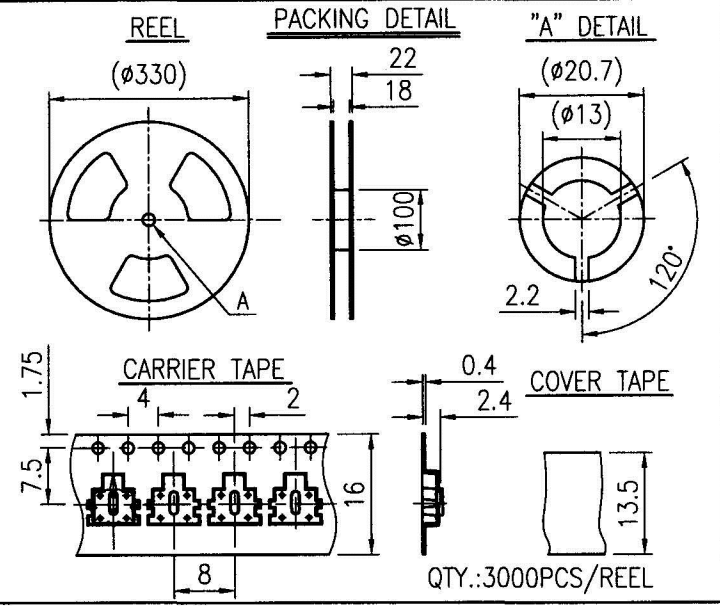


SYMB	REVISION	DATE	APVD.	SYMB	REVISION	DATE	APVD.	VERSION: 0	F07-09-1/1	
								MODE	Momentary	
								TIMING		
								LINE(S)	CIRCUIT	STROKE
								1	1P2T	0.3

Without any banned substance!  
Compliance with RoHS!



工程  
部  
21 NOV 2008  
發行



Recommended PWB piercing plan  
(Pitch tolerance  $\pm 0.05$ )

Circuit Diagram

TYPE	DETECTOR SWITCH		UNIT	mm	9				
SERIES	DTS-07		SCALE	8 : 1	8				
PART NO.	DTS-07		DATE	03/11/08	7				
SPEC. NO.	A1080-04		PAGE	1/6	6	CAM	LCP	1	DARK GREY
DRAWN	CHECKED	APVD.	TOLERANCE		5	CONTACT PLATE	C5210	1	Ag
			ANGLE	$\pm 3'$	4	TERMINAL	C5191	1	Ag
			UP TO 10	$\pm 0.2$	3	CASE	LCP	1	DARK GREY
			ABOVE 10 ~ 50	$\pm 0.3$	2	COVER	SUS	1	WASHING
			ABOVE 50 ~ 100	$\pm 0.5$	1	LEVER	LCP	1	DARK GREY
SANWIN ELECTRONIC TECHNOLOGY CO.,LTD					NO.	NAME	MATERIAL	QTY.	FINISHING